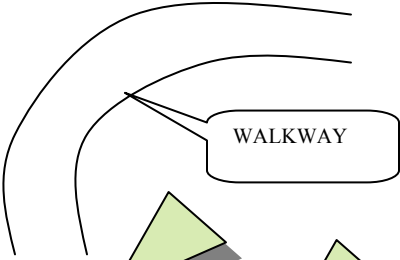
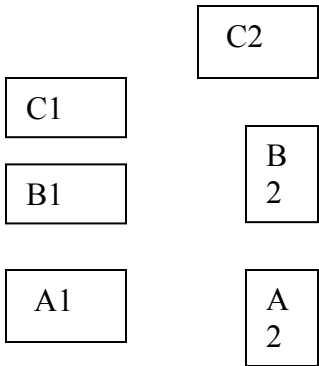


# DUCHESS CUP '09

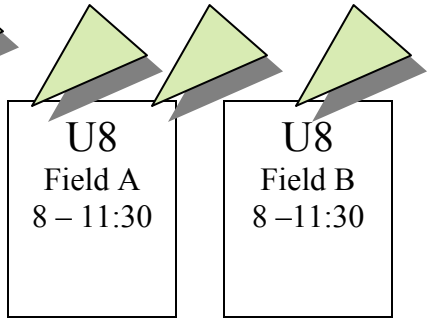
Field 378  
CU12 BLUE 8 - 12  
CU15 9 - 9:30 &  
10:30 - 11  
GU12 12 - 3  
CU12 3 - 6



Micro fields



P  
R  
I  
V  
A  
T  
E



Field 370  
U10 8 - 11:30 &  
1 - 4

Field 371  
CU10 8 - 10  
GU12 10 - 12  
U10 1 - 4

W  
A  
L  
K  
W  
A  
Y

West  
Parking

Field 376  
CU15 8 - 12:30  
GU14 2 - 5

REGI  
STRA  
TION

F  
O  
O  
D

East Parking

← West to Rt 9-----RT 52-----East to Lime Kiln/I84→

